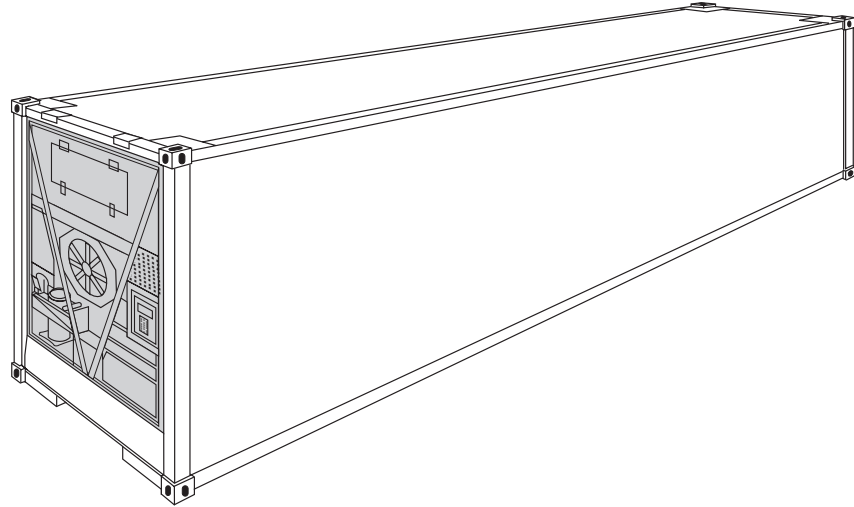


# Refrigerated Container (Temperature Controlled Container)

40'

ISO Size Type Code: 45 R1 High Cube  
42 R9



- State of the art insulation factors.
- Container available for set points as low as  $-35^{\circ}$  C.
- De-humidification option available.
- Cold treatment available (USDA).
- Controlled fresh-air supply with up to 280 qm/h.
- ATO-DLO certification for flowerbulk.
- Integrated datalogger storing temperatures and events hourly.
- Low power consumption.
- Only use of environmental friendly refrigerants.
- Dedicated equipment for chemical/non-foodstuff cargoes.
- Other series solely for foodstuff cargoes.
- The Container is designed to maintain the set point temperature.
- The cargo shall be pre-cooled to match all required in transit temperature.
- Especially for cargo which needs constant temperatures above or below freezing point.
- Suitable for Clip-on generator.
- AFAM on request available.
- Please note maximum stowage height in below table and as indicated by red line inside the container in order to ensure proper air circulation.
- Voltages 380 V/50 Hz to 460 V/60 Hz
- Technical specification and illustration of electric plugs see page 44.
- Freshair recording available

**Cigisped: ph: +39 010 8607214 +39 010 815873 - [cigisped@cigisped.it](mailto:cigisped@cigisped.it) - [www.cigisped.it](http://www.cigisped.it)**

## High Cube Refrigerated Container

40'

Containers are available for set points as low as **-35° C** and up to **+30° C**, please contact your Cigisped office for availability.

Construction	Inside Dimensions				Door Opening		Weights			Capacity m <sup>3</sup> cu.ft
	Length	Width	Height	Max. stow. Height	Width	Height	Max. Gross	Tare	Max. Payload	
	mm ft	mm ft	mm ft	mm ft	mm ft	mm ft	kg lbs	kg lbs	kg lbs	
<b>8'6" high non foodstuff</b>										
Steelframe, Sandwich walls	11 563 37'11 <sup>1</sup> / <sub>4</sub> "	2 294 7'6 <sup>1</sup> / <sub>4</sub> "	2 261 7'5"	2 161 7'1"	2 288 7'6"	2 188 7'2 <sup>1</sup> / <sub>8</sub> "	30 480 67 200	4 600 10 140	29 400 64 820	60,0 2120
<b>9'6" high</b>										
Steelframe, Sandwich walls	11 643 38'2"	2 288 7'6 <sup>1</sup> / <sub>8</sub> "	2 498 8'2 <sup>3</sup> / <sub>8</sub> "	2 378 7'9 <sup>5</sup> / <sub>8</sub> "	2 288 7'6 <sup>1</sup> / <sub>8</sub> "	2 517 8'3 <sup>1</sup> / <sub>8</sub> "	30 480 67 200	4 180 9 220	26 300 57 980	66,5 2348