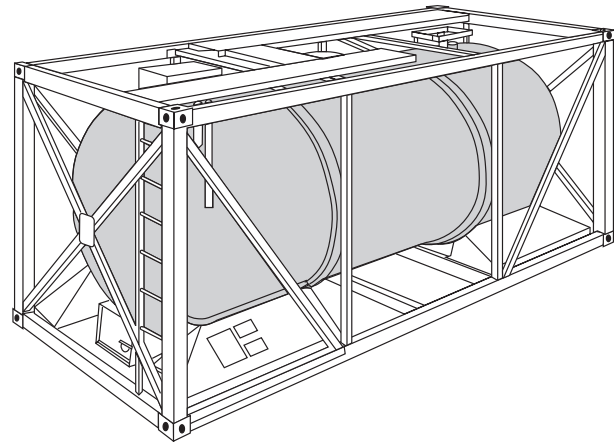


Tank Container

20'

ISO Size Type Codes: 20 T5 = 8' high
22 T0 = 8'6" high (22 T5 / 22 T6)



- Cigisped provides tank containers which are approved to the highest standards. Depending on the characteristics of the products to be carried the requirements vary. Cigisped offer their services on operational, technical and regulatory questions.

- Separate tank fleets are available for:

FOODSTUFFS, e.g.:

- Alcohols
- Fruit juices
- Edible oils
- Food additives

CHEMICAL PRODUCTS, e.g.:

- Flammables
- Oxidising agents
- Toxic substances
- Corrosives

- Tanks must be filled to not less than 80 % of their capacity to avoid dangerous surge/swell during transport.

- Tanks must not be filled to 100% of their capacity. Sufficient ullage space shall be left – which must be determined depending on the thermal expansion of the product to be carried.

- Certain dangerous products must be carried in tanks having no openings below the surface level of the liquid. Such tanks must be discharged through a syphon pipe by either pressure or pumping.

- National road/rail weight limitations have to be maintained when arranging land transports.

- For the cleaning of tanks and disposal of residues tariff rules apply. Tanks moving in a dedicated service are exempted from such rules until the dedication is terminated.

Cigisped: ph: +39 010 8607214 +39 010 815873 - cigisped@cigisped.it - www.cigisped.it